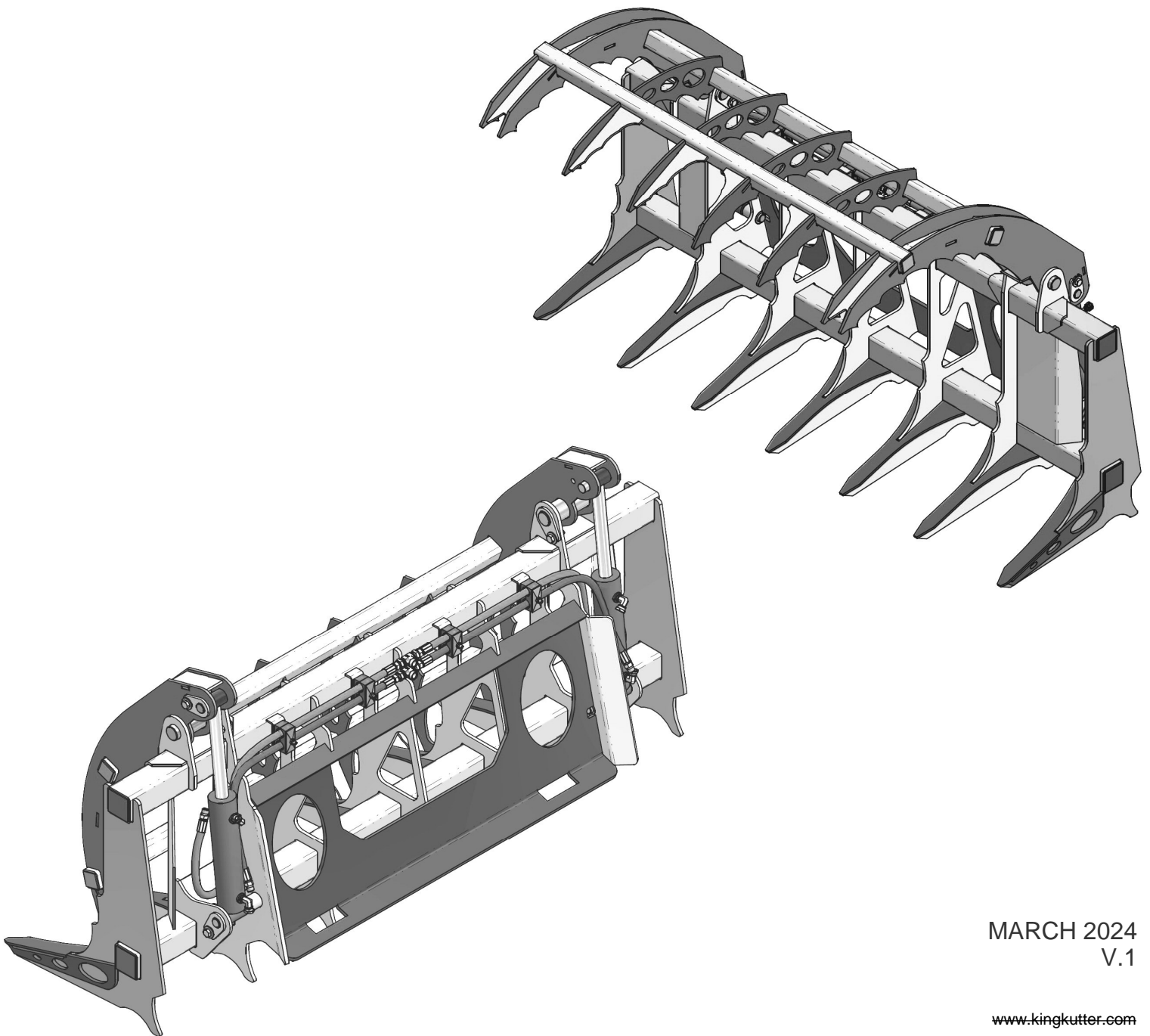

BRUSH GRAPPLES MANUAL

GP-54-2CY-KK, GP-60-2CY-KK, & GP-72-2CY-KK



MARCH 2024
V.1

TO THE PURCHASER

This manual contains valuable information about your new King Kutter Brush Grapple. It has been carefully prepared to give you helpful suggestions for operating, adjusting, servicing and ordering repair parts.

Keep this manual in a convenient place for quick and easy reference. Study it carefully. You have purchased a dependable and sturdy brush grapple, but only by proper care and operation can you expect to receive the service and long life designed and built into the product.

Sometime in the future your grapple may need new parts to replace those that are worn. If so, go to your dealer and provide him with the model and part number.

Customer Information

Name _____

Purchased From _____

Date Purchased _____

Model No. _____

Serial No. _____

It is the purchaser and/or operator's responsibility to....

- I Read and understand the information contained in this manual.**
- I Operate, lubricate, assemble and maintain the equipment in accordance with all instructions and safety procedures in this manual.**
- I Inspect the equipment and replace or repair any parts that are damaged or worn which under continued operation would cause damage, wear to other parts, or cause a safety hazard.**
- I Return the equipment or parts to the authorized King Kutter dealer, from where it was purchased, for service or replacement of defective parts that are covered by warranty. (The King Kutter Factory or an Authorized King Kutter Dealer may inspect equipment or parts before warranty claims are honored.)**

CONTENTS

ITEM	PAGE
Safety	6
Equipment Safety Guidelines	7
Safety Training & Preparation.....	8
Operational Safety.....	9
Transport & Storage Safety	11
Safety Decals	12-14
Safety Signs Locations	15
Attaching To Skid Steer	16
Attaching To Tractor.....	17
Inspection & Before Use	18
54" Grapple Parts	20
60" Grapple Parts	21
72" Grapple Parts	22
Warranty	23

SAFETY

READ AND FOLLOW THE INSTRUCTIONS IN THIS MANUAL AND ESPECIALLY IN THE SAFETY SECTION. FAILURE TO DO SO CAN RESULT IN SERIOUS INJURY OR DEATH.

TAKE NOTE! THIS SAFETY ALERT SYMBOL FOUND THROUGHOUT THIS MANUAL IS USED TO CALL YOUR ATTENTION TO INSTRUCTIONS INVOLVING YOUR PERSONAL SAFETY AND THE SAFETY OF OTHERS.



THIS SYMBOL MEANS
ATTENTION!
BECOME ALERT!
YOUR SAFETY IS INVOLVED

SIGNAL WORDS:

The signal words **DANGER**, **WARNING** and **CAUTION** are used with the safety messages in this manual and with each safety signs. They are defined as follows:

DANGER: Indicates an immediate hazardous situation that, if not avoided, could result in serious injury or death. This signal word is to be limited to the most extreme situations typically for machine components that, for functional purposes, cannot be guarded.

WARNING: Indicates a potentially hazardous situation that, if not avoided, could result in serious injury or death, and includes hazards that are exposed when guards are removed. It may also be used to alert against unsafe practices.

CAUTION: Indicates a potentially hazardous situation that, if not avoided, may result in minor or moderate injury. It may also be used to alert against unsafe practice.

If you have any questions not answered in this manual or require additional copies or the manual is damaged, please contact your dealer or King Kutter, Inc. P.O. Box 1200 Winfield, AL 35594 (205) 487-3202 or www.kingkutter.com

EQUIPMENT SAFETY GUIDELINES



- I Safety of the operator and bystanders is one of the main concerns in designing and developing a grapple. However, every year accidents occur which could have been avoided by a few seconds of thought and a more careful approach to handling equipment. You, the operator, can avoid many accidents by observing the following precautions and insist those working with you, or for you, follow them.
- I In order to provide a better view, certain photographs or illustrations in this manual may show an assembly with a safety shield removed. However, equipment should never be operated in this condition. Keep all shields in place. If shield removal becomes necessary for repairs, replace the shield prior to use.
- I Replace any safety sign that is not readable or is missing. Copies of such safety signs are shown in this manual.
- I Never use alcoholic beverages or drugs that can hinder alertness or coordination while operating this equipment. Consult your doctor about operating this machine while taking prescription medications.
- I **Under no circumstances should children under the age of 18 be allowed to work with this equipment. Do not allow persons to operate or assemble this unit until they have read this manual and have developed a thorough understanding of the safety precautions and of how it works.** Review the safety instructions with all users annually.
- I This equipment is dangerous to children and persons unfamiliar with its operation. The operator should be a responsible, properly trained and physically able person familiar with farm machinery and trained in this equipment's operations. If the elderly are assisting with farm work, their physical limitations need to be recognized and accommodated.
- I If possible use a skid steer equipped with a Roll Over Protective System and seat belts. (ROPS)
- I Never exceed the limits of a piece of machinery. If its ability to do a job, or to do so safely, is in question- **DON'T TRY IT.**
- I Do not modify the equipment in any way. Unauthorized modification could result in serious injury or death and may impair the function and life of the equipment.
- I In addition to the design and the confirmation of this implement, including safety signs and safety equipment, hazard control and accident prevention are dependent upon the awareness, concern, prudence, and proper training of personnel involved in the operation, transport, maintenance, and storage of the machine. Refer also to safety messages and operation instruction in each of the appropriate sections of the skid steer and grapple manuals. Pay close attention to the safety signs affixed to the skid steer and the grapple.

SAFETY TRAINING



- I Safety is a primary concern in the design and manufacture of our product. Unfortunately, our efforts to provide safe equipment can be wiped out by a single careless act of an operator or bystander.
- I In addition to the design and configuration of equipment, hazard control and accident prevention are dependent upon the awareness, concern, prudence and proper training of personnel involved in the operation, transport, maintenance and storage of this equipment.
- I It has been said, “The best safety device is an informed, careful operator.” We ask you to be that kind of operator. It is the operator’s responsibility to read and understand all safety and operating instructions in the manual and to follow them. Accidents can be avoided.
- I Working with unfamiliar equipment can lead to careless injuries. Read this manual, and the manual for your skid steer, before assembly or operating, to acquaint yourself with the machines. If this machine is used by any person other than you, or is loaned or rented, it is the grapple owner’s responsibility to make certain that owner’s manual be available to the operator prior to operating and that the operator:
 - 1- Reads and understands the operator’s manuals.
 - 2- Is instructed in safe and proper use.
- I Know your controls and how to stop skid steer, engine, and the grapple quickly in an emergency. Read this manual and the one provided with your skid steer.
- I Train all new personnel and review instructions frequently with existing workers. Be certain only a properly trained and physically able person will operate the machinery. A person who has not read and understood all operating and safety instructions is not qualified to operate the machine. An untrained operator exposes himself and bystanders to possible serious injury or death. If the elderly are assisting with farm work, their physical limitations need to be recognized and accommodated.

PREPARATION

- I Never operate the tractor or skid steer and grapple until you have read and completely understand this manual, the Skid Steer or Tractor Operator’s Manual, and each of the safety messages found on the safety signs on the tractor or skid steer and grapple.
- I Personal protection equipment including hardhat, safety glasses, safety shoes, and gloves are recommended during assembly, installation, operation, adjustment, maintenance, repairing, removal, or moving the implement. Do not allow long hair, loose fitting clothing, or jewelry to be around equipment.
- I Operate only in daylight or good artificial light.
- I Operate the grapple only with a skid steer or tractor equipped with an approved Roll-Over-Protective System (ROPS). Always wear your seat belt. Serious injury or even death could result from falling off the tractor or skid steer — particularly during a turnover when the operator could be pinned under the ROPS, tractor or the skid steer.
- I Ensure the grapple is properly mounted, adjusted and in good operating condition.

PREPARATION continued..



- I PROLONGED EXPOSURE TO LOUD NOISE MAY CAUSE PERMANENT HEARING LOSS! Tractors and Skid Steers with or without grapples attached can often be noisy enough to cause permanent, partial hearing loss. We recommend that you wear hearing protection on a full-time basis if the noise in the operator's position exceeds 80 db. Noise over 80 db on a long-term basis can cause severe hearing loss. Noise over 90 db adjacent to the operator over a long-term basis may cause permanent, total hearing loss. **NOTE:** Hearing loss from loud noise (from tractors, chain saws, radios, and other such sources close to the ear) is cumulative over a lifetime without hope of natural recovery.
- I Ensure that all safety shielding and safety signs are properly installed and in good condition.

TAKE CONTROL OF YOUR OWN SAFETY



- I The two most commonly reported causes of death from skid steer loaders is crushed by moving parts and rollover accidents.

SAFE START UP & SHUT DOWN



- I Workers are crushed and killed by moving parts when they do not climb into the skid steer loader safely. To prevent accidents, enter according to the manufacturer's instructions.
- I Enter only with the engine off, lift arms down and attachment on the ground.
- I Face the seat with both hands on the grab bars.
- I Never use the control levers as grab bars.
- I Use the steps made for entering.

OPERATIONAL SAFETY



This product is designed to ideal for picking up and moving rocks, logs, brush, debris, and other oddly shaped or hard-to-lift materials. Using the product for anything other than it's intended purpose could result in serious injury or death!

- Always read and understand the operator's manual before using the piece of equipment. Always follow the manufacturer's recommendations and specifications when operating it.
- Always lower the bucket or attachment so that it is flat on the ground. Do not attempt to activate the tractor's or skid-steer loader's controls from outside the operator's compartment.
- Do not leave the operator's seat while the engine is on. Never attempt to activate the controls unless properly seated with the seatbelt fastened and the seat bar (if equipped) lowered. Keep all body parts inside the cab while operating a skid-steer loader or tractor.
- Never modify, bypass, disable, or override safety systems. Similarly, never operate equipment in which safety systems have been modified or are not working properly. Equipment with modified or malfunctioning safety systems should be taken out of service until repaired or replaced.

OPERATIONAL SAFETY continued...



- I Never permit riders on the tractor or skid-steer loader, in the bucket or attachment, or in the operator's compartment unless the compartment is designed to accommodate a second rider.
- I Always keep bystanders a safe distance away from the work area.
- I Establish a routine maintenance and inspection program in accordance with the manufacturer's recommendations. Inspect the skid-steer loader or tractor to ensure that all safety systems are functioning properly prior to operating the equipment.
- I Follow the manufacturer's instructions for maintaining the tractor or skid-steer loader. Never attempt maintenance or other work while lift arms or attachments are raised without using an approved lift arm support device. Replace protective guards and shields after repairs or service.
- I Train personnel on the proper inspection, use, maintenance, and repair of tractor or skid-steer loaders according to the manufacturer's instructions. Train supervisory personnel to identify hazards, such as safety systems that have been bypassed, disabled, or that require maintenance.
- I Always stop the skid steer or tractor, set brake, shut off the engine, remove the ignition key, lower implement to the ground and allow everything to come to a complete stop before dismounting the tractor or skid steer. Never leave equipment unattended with the skid steer or tractor running.
- I Never place hands or feet close to grapple with tractor or skid steer engine running or before you are sure all motion has stopped. Stay clear of all moving parts.
- I Do not reach or place any part of your body close to equipment until it is blocked securely.
- I Do not allow riders on the tractor or skid steer at anytime. There is no safe place for any riders.
- I Do not operate unless all personnel, livestock, and pets are several feet away to prevent injury.
- I The parts of this machine have been designed and tested for rugged use. However, they could fail upon impact with heavy, solid objects such as steel guardrails and concrete abutment. Such impact could cause the broken objects to be thrown outward. To reduce the possibility of property damage, serious injury, or even death, never allow the grapple to contact such obstacles.
- I Stop the grapple and tractor or skid steer immediately upon striking an obstruction. Turn engine off, remove key, inspect and repair any damage before resuming operation.
- I Stay alert for uneven terrain, rocks, and roots and other hidden hazards. Keep away from drop-offs and hazards that could cause roll over. Use extreme care and maintain minimum ground speed when transporting or operating on hillsides, over rough ground and when operating close to ditches or fences. Be careful and slow down when turning sharp corners and changing direction on slopes. Do not start or stop suddenly on slopes. Avoid operation on steep slopes.
- I Always check skid steer or tractor manual for proper use on slopes.
- I You must not exceed the ROPS weight certification. Weigh the tractor and equipment or the skid steer and equipment. **Do not guess or estimate!**
- I Avoid contact with any overhead utility lines or electrically charged conductors.

TRANSPORT SAFETY



- I Comply with state and local laws governing highway safety and movement of machinery on public roads.
- I The use of flashing amber lights is acceptable in most localities. However, some localities prohibit their use. Local laws should be checked for all lighting and marking requirements.
- I At all times, when driving the skid steer or tractor and equipment on the road or highway under 20mph (32kph) use flashing amber warning lights and a slow moving vehicle (SMV) identification emblem. Do not exceed 20 mph (32 kph). Reduce speed on rough roads and surfaces.
- I Plan your route to avoid heavy traffic.
- I Always install transport locks, pins or brackets before transporting.
- I Do not drink and drive.
- I Be a safe and courteous driver. Always yield to oncoming traffic in all situations, including narrow bridges, intersections, etc. Watch for traffic when operating near or crossing roadways.
- I Be careful when turning sharp corners.
- I Never allow riders on either tractor, skid steer or grapple.

STORAGE SAFETY



- I Following operation, or when unhooking the grapple, stop the skid steer or tractor, set the brakes, shut off the engine and remove the ignition keys.
- I Store the unit in an area away from human activity.
- I Do not park equipment where it can be exposed to direct contact to livestock for long periods of time. Damage and livestock injury could result.
- I Make sure all parked machines are on a hard, level surface and engage all safety devices.

SAFETY SIGNS



1



2



3



4

⚠ WARNING



HIGH-PRESSURE FLUID HAZARD

To prevent serious injury or death:

- Relieve pressure on system before repairing or adjusting or disconnecting.
- Wear proper hand and eye protection when searching for leaks. Use wood or cardboard instead of hands.
- Keep all components in good repair.

5

⚠ WARNING

TO AVOID SERIOUS INJURY OR DEATH:

- Read Operator's Manual before operating, servicing or repairing equipment. Follow all safety rules and instructions. (Manuals are available from your selling dealer.)
- Never allow riders.
- Keep bystanders away from equipment during operation.
- Operate from tractor seat only.
- Keep all shields in place and in good condition.
- Lower equipment to ground, stop engine, remove key and set brake before dismounting tractor.
- Never allow children or untrained persons to operate equipment.

FAILURE TO FOLLOW THESE INSTRUCTIONS CAN RESULT IN INJURY OR DEATH.

6



⚠ WARNING

PINCH POINT HAZARD
Keep clear

7

⚠ WARNING

- Keep load centered on Grapple Rake and loader. Unbalanced loads increase possibility of tipping or roll-over.
- When handling brush or branches, be aware of branches that might contact power unit or operator.
- When cleaning up old building sites, check for live utility lines. Always be sure electric, gas, and water lines have been properly disconnected.
- Check material to be handled, especially at old building sites or dumps. Be alert for any hazardous material that could be released by grapple rake contact. If in doubt, check with professional waste haulers.
- When stacking logs, trees, or stumps always make sure the load will not roll back toward the power unit when released from grapple rake.
- Failure to observe the above warnings could result in serious injury or death.

8

	⚠ WARNING
<p>Coupler Handles - Locked</p>  <p>Handle Locked</p> <p>Lockpin Extended</p>	<p>To avoid injury or death caused by falling attachment:</p> <p>Lockpins must completely engage attachment plate slots.</p>

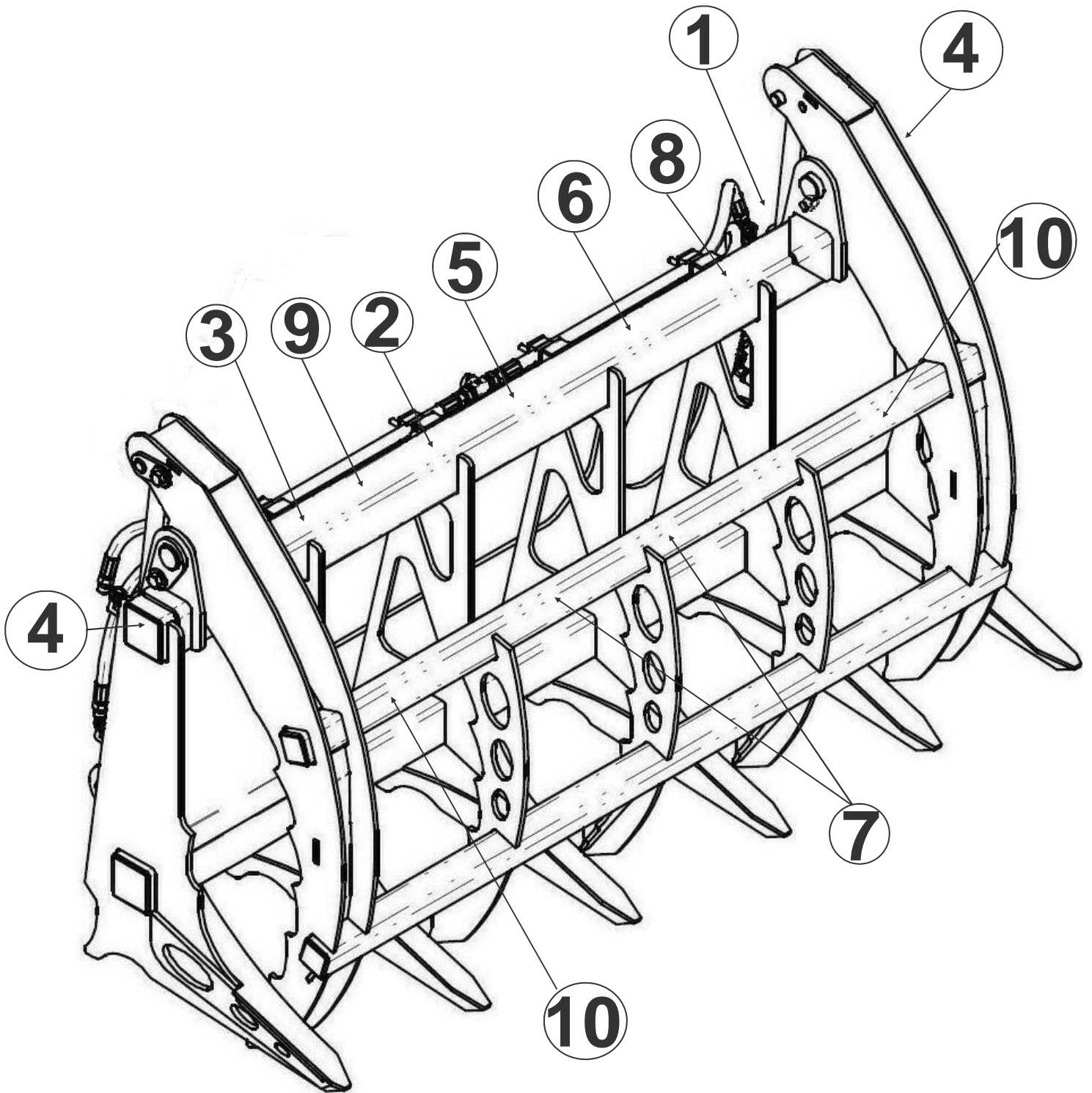
9

⚠ WARNING

Crush hazard. Keep clear.

10

SAFETY SIGNS LOCATIONS





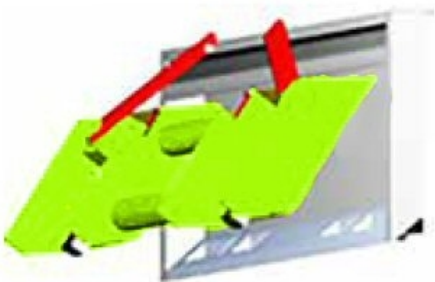
WARNING

Never stand between skid steer and grapple while attaching.

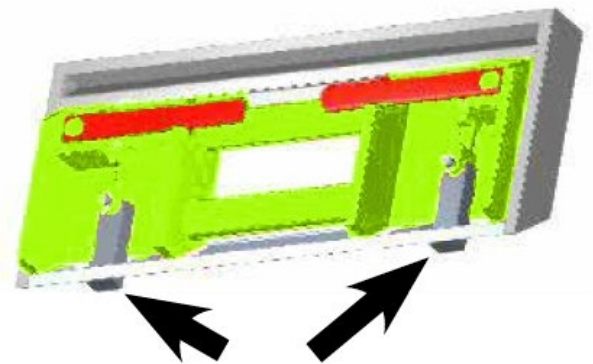


ATTACHING TO SKID STEER

1. Before you begin changing your skid steer attachments, please ensure you are in a safe, flat area with sufficient room to maneuver.
2. Make sure machine, attachments, and quick attach plates are clean with no rocks, mud, sticks, ice, or snow on them.
3. Attach skid loader to attachment and lock levers or pins down into attachment. Lift the machine up and visually verify that the pins are through both holes on each side of the quick attach plate.
4. Connect hoses from attachment to the skid loader. Doesn't matter the sequence that you hook them up in. Connect by pushing them together (Male and Female couplers). You should hear a click and once connected, give a little pull on them to make sure they are secure and locked together.
5. Turn on auxiliary hydraulics inside the skid steer to start operating attachment. First off, operate auxiliary hydraulics on low idle and low speed. You want to do this to make sure all connections are secure and there are no hydraulics leaks on either skid loader or attachment. Once you can see no leaks and everything functioning as it should, you can start to turn up the idle on the skid loader and run hydraulics at a faster speed.
6. Disconnecting- Set grapple firmly on ground, disconnect the hoses, unlock levers or lift pins upwards out of the holes in the quick attach plate and back away slowly.



Connecting Coupler to Attachment



Check Coupler Lock Engagement



WARNING
Never stand between tractor and grapple while attaching.



ATTACHING TO TRACTOR

1. Before you begin changing your attachments, please ensure you are in a safe, flat area with sufficient room to maneuver.
2. Make sure tractor, attachments, and quick attach plates are clean with no rocks, mud, sticks, ice, or snow on them.
3. Attach tractor plate to attachment and lock levers or pins down into attachment. Lift the attachment up and visually verify that the pins are through both holes on each side of the quick attach. Then connect the hoses from attachment to the tractor. Doesn't matter the sequence that you hook them up in. Connect by pushing them together (Male and Female couplers). You should hear a click and once connected, give a little pull on them to make sure they are secure and locked together.
4. Disconnecting- Set grapple firmly on ground, disconnect the hoses, unlock levers or lift pins upwards out of the holes in the quick attach plate and back away slowly.

Pre-Operation Walk-around Inspection

Before every use, it is important to perform a short inspection and certain maintenance on your grapple attachment.

- Check that all shields and guards are in place.
- Look for loose bolts and tighten them if necessary.
- Check that all safety decals are in place and can be read. Replace them if necessary.
- Take care of our environment. Repair any hydraulic leaks.

Before Using the Grapple the First Time

If this is your initial startup with this attachment on this machine, check the skid steer's hydraulic oil level and add oil, if necessary, before and after doing steps 1 & 2 below. After starting skid steer, lift the attachment approximately 10" off the ground surface:

1. With the skid steer engine RPMs just above idle, slowly engage the auxiliary hydraulic flow to the grapple arm until the grapple arm(s) are fully open. Reverse the direction of the grapple arms until the grapple arm(s) are fully closed. Repeat this two more times to purge any air from the system.
2. Lower the attachment to the ground and shut off the skid steer's engine and exit the operator's compartment.
3. Check the skid steers hydraulic oil level, and add oil if necessary.
4. Inspect the grapple attachment's hydraulic plumbing for any noticeable leaks. Correct these leaks before continuing.

Grapple Attachment Tips

1. Always inspect the work area before starting the job. Locate and mark any utilities, steel posts, rocks or any other objects that could be damaged or would damage the blade during operation. Never assume the work area is safe and never skip the inspection part before start of operation.
2. Operate at a safe slow-paced speed that will allow you to watch the area ahead and behind the attachment & loader. Since about half of your duty cycle may be in reverse, look behind you and/or utilize your mirrors when backing up. Verify that your backup alarm is working properly to warn others when you are in reverse, but never think that the alarm replaces your responsibility to visually check what's behind you.
3. Attachment control is the most important element to getting a good, steady cut. Overloading the attachment will only result in spinning the tracks or tires and will make unwanted ruts. Overloading the attachment will also necessitate raising the implement to off load some of the resistance occurring by the material. When you raise the attachment, you will create an unlevelled surface that will increase as the front of the prime mover drives over the rise of the ground surface.
4. If you lift too heavy a load with your attachment, you may raise the rear of your skid steer, and further reduce your tractive power available to move the load.
5. Before beginning your forward motion with the attachment, stop the skid steer and make any final adjustments to the attachment in terms of height & tilt.

6. Center your load on the attachment. Estimate the load center and pick it accordingly. If the load feels unbalanced when you lift it, reposition your grab and retry the lift. An unbalanced load could upset your skid steer.

7. After loading your attachment and clamping the arms over the load, roll the attachment back and retighten the clamp arm pressure. When rolling back the attachment, the load will settle and require some additional clamping pressure to secure the load.



WARNING

When lifting a load of brush or trees, make sure all ends are not tangled with standing trees that could cause the center of gravity to be compromised, resulting in a rollover that could cause Death or Serious Injury.

8. The grapple clamp should not be used for pushing or pulling down trees or any type of structure. Its purpose is to clamp the load so it can be moved to a different spot on the job site.

9. To save some service work and down time, always pay attention that tree branches or roots do not poke through past the attachment arms and damage any hydraulic parts or even enter the cab area.

10. Be careful that a branch or root doesn't "whip" back at the skid steer. Wear safety glasses to prevent dirt getting in your eyes.



WARNING

Use extreme caution when working around low hanging electrical lines. Do not raise the attachment in an area where there are low electrical lines to prevent an accident that could result in Death or Serious Injury.

11. Keep your distance from any type of utility, whether underground or in the air.

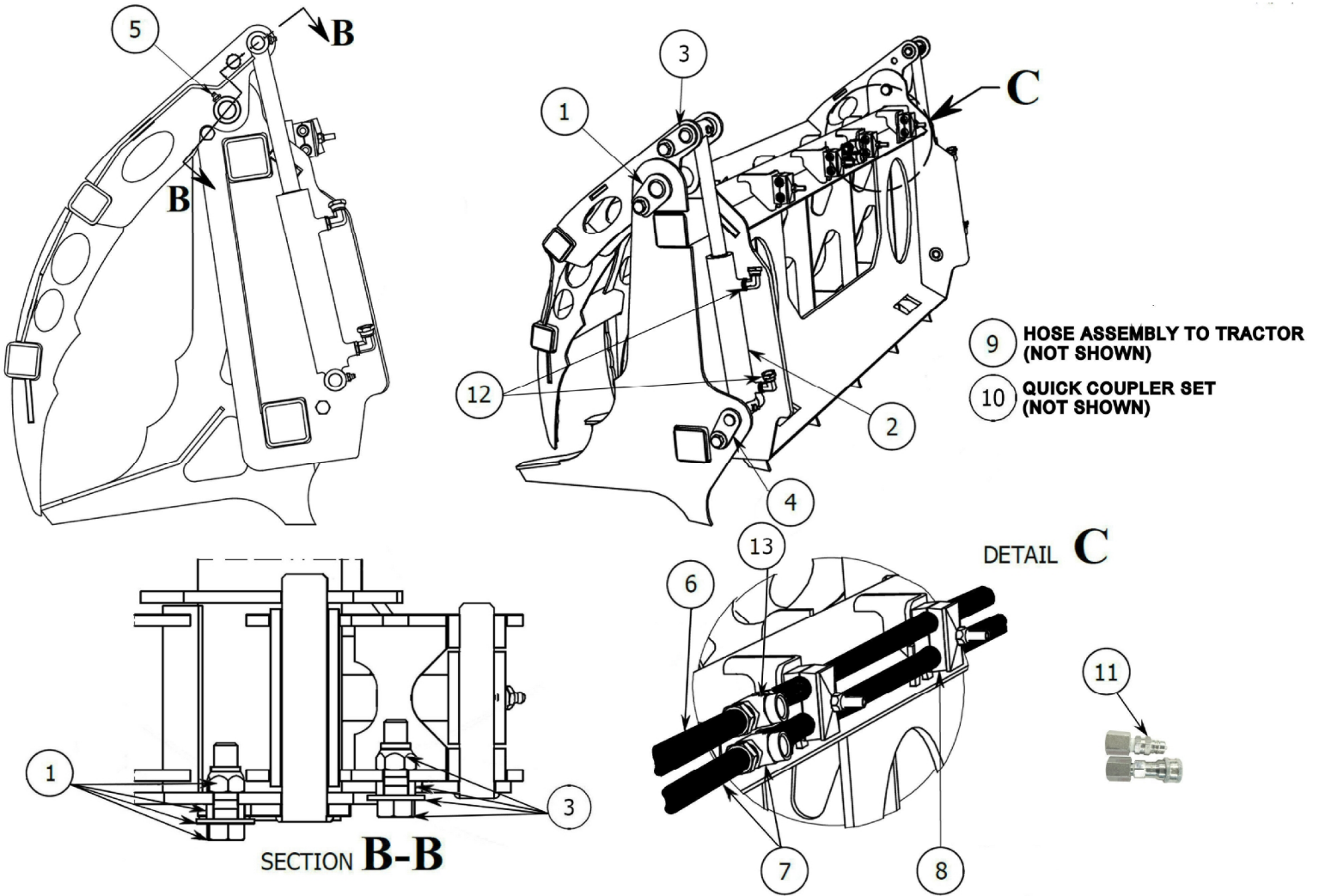
12. Always clean the quick-disconnect couplers before connecting them to the skid steer. Utilize plastic or metal caps to protect the ends when not being used. Tuck the quick disconnect hoses somewhere in the attachment where they will be out of the dirt and will not be driven over.

Maintaining your Grapple

Before Every Use

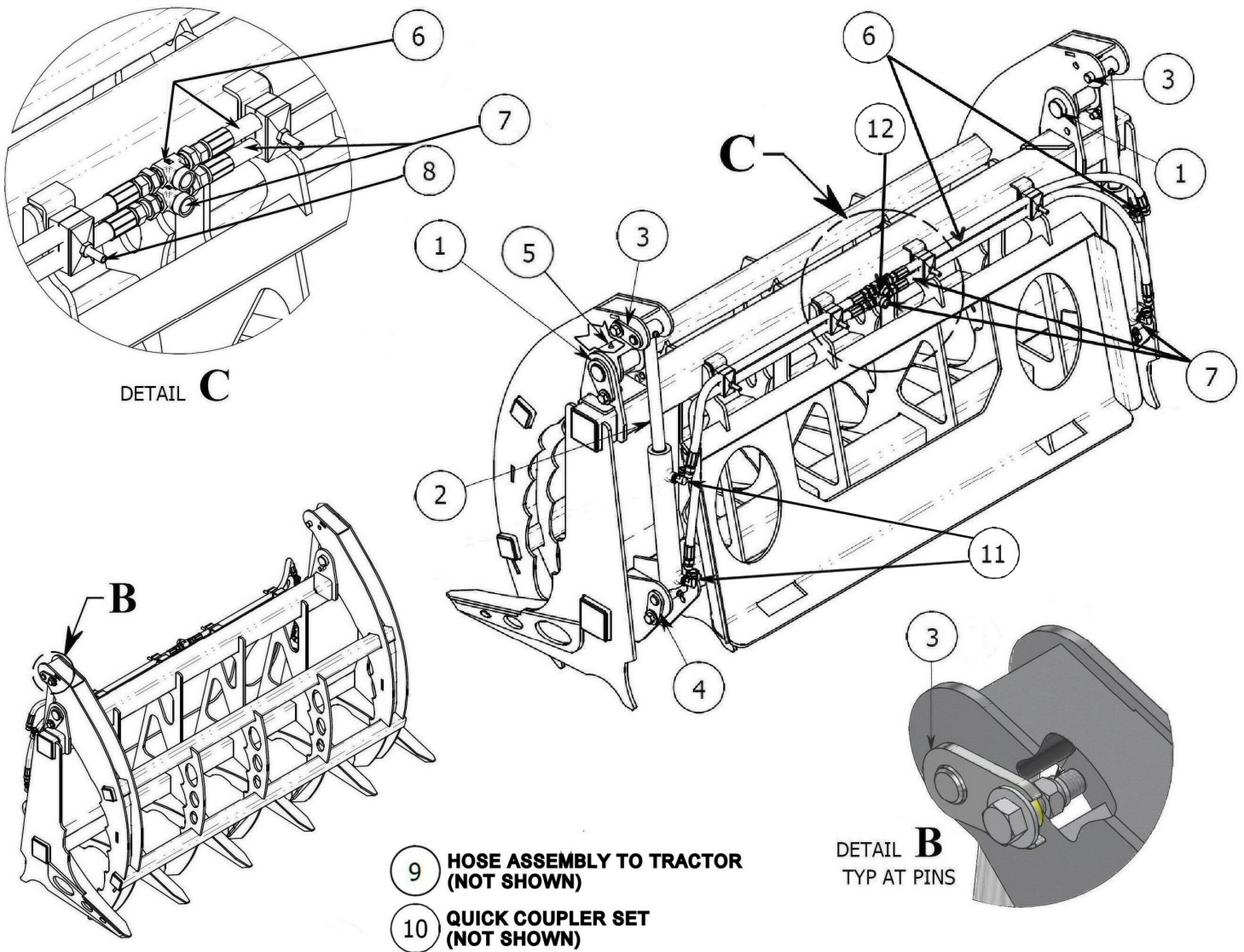
Check that all fasteners (nuts, bolts, pins, keepers) are in their right place and are tight. Inspect and replace any worn, torn or missing safety decals. Investigate the location of any oil leaks and repair. Lubricate all pivot joints with grease.

54" Brush Grapple Parts



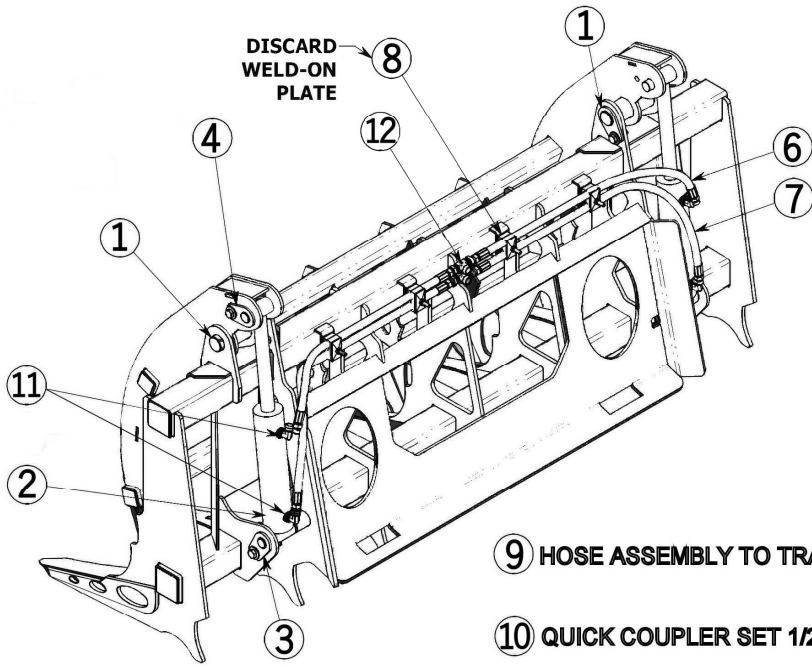
Ref. No.	Part Name	Part # 54"
1	TOP CLAMP PIN ASSEMBLY (Set of 2)	580600
2	HYDRAULIC CYLINDER 1.5 X 6.00 X 1.00 ROD - 4 ORB ASSEMBLY	147873
3	CYLINDER PIN TOP ASSEMBLY (Set of 2)	580605
4	CYLINDER PIN BOTTOM ASSEMBLY (Set of 2)	580610
5	GREASE FITTING (ZERK) (Pkg. of 6)	580615
6	HOSE ASSEMBLY TOP	402580
7	HOSE ASSEMBLY BOTTOM	402585
8	ROUTING CLAMP 2 X .688 (Pkg. of 4)	580620
9	HOSE ASSEMBLY TO TRACTOR (NOT SHOWN)	402508
10	QUICK COUPLER SET (NOT SHOWN)	580625
11	ADAPTER KIT 54" GRAPPLE	402450
12	4MB-6FPX90 HYDRAULIC FITTING (Pkg of 2)	580665
13	SWIVEL TEE 6FPX-6FP (Set of 2)	580655

60" Brush Grapple Parts

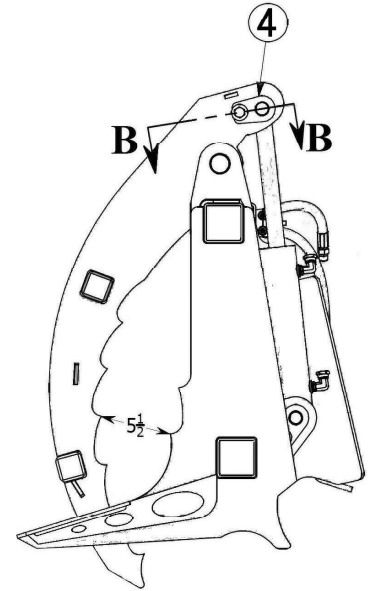
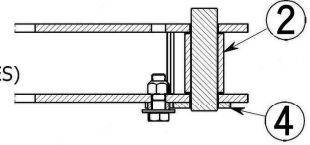


Ref. No.	Part Name	Part # 60"
1	TOP CLAMP PIN ASSEMBLY (Set of 2)	580630
2	HYDRAULIC CYLINDER 1.5 X 8.00 X 1.00 ROD	147877
3	CYLINDER PIN TOP ASSY (Set of 2)	580635
4	CYLINDER PIN BOTTOM ASSEMBLY (Set of 2)	580610
5	GREASE FITTING (ZERK) (Pkg. of 6)	580615
6	HOSE ASSEMBLY TOP	402506
7	HOSE ASSEMBLY BOTTOM	402507
8	ROUTING CLAMP 2 X .688 (Pkg. of 4)	580620
9	HOSE ASSEMBLY TO TRACTOR (NOT SHOWN)	402508
10	1/2 IN. QUICK COUPLER SET (NOT SHOWN)	580625
11	4MB-6FPX90 HYDRAULIC FITTING (Pkg of 2)	580665
12	SWIVEL TEE 6FPX-6FP	580655

72" Brush Grapple Parts

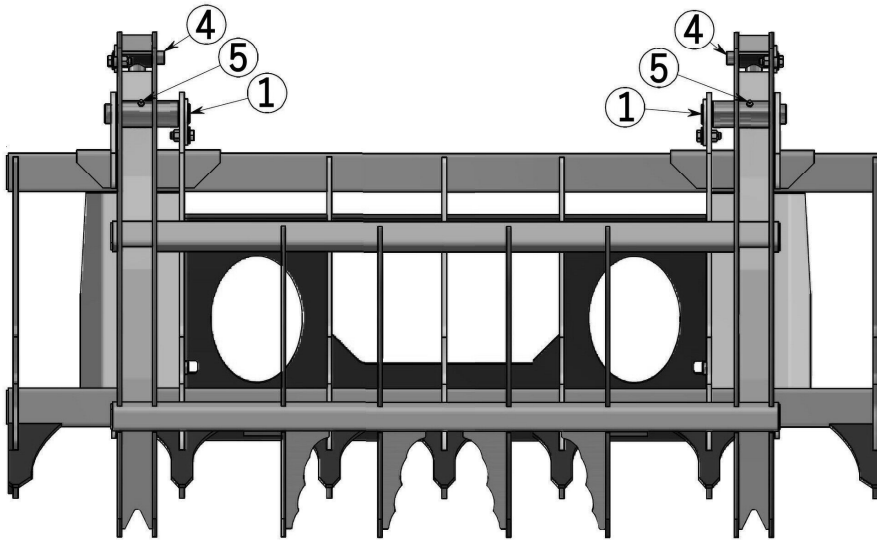


SECTION **B-B**
(TYP ALL PIN ASSEMBLIES)



⑨ HOSE ASSEMBLY TO TRACTOR (NOT SHOWN)

⑩ QUICK COUPLER SET 1/2" (NOT SHOWN)



Ref. No.	Part Name	Part # 72"
1	TOP CLAMP PIN ASSEMBLY (Set of 2)	580640
2	HYDRAULIC CYLINDER 2 X 8 X 1.25 ROD ORB ASSEMBLY	147852
3	CYLINDER PIN BOTTOM ASSEMBLY (Set of 2)	580650
4	CYLINDER PIN TOP ASSEMBLY (Set of 2)	580645
5	GREASE FITTING (ZERK) (Pkg. of 6)	580615
6	HOSE ASSEMBLY TOP	402506
7	HOSE ASSEMBLY BOTTOM	402507
8	ROUTING CLAMP 2 X .688 (Pkg. of 4)	580620
9	HOSE ASSEMBLY TO TRACTOR (NOT SHOWN)	402508
10	QUICK COUPLER SET (NOT SHOWN)	580625
11	6MP-6FPX90 HYDRAULIC FITTING (Set of 2)	580660
12	SWIVEL TEE 6FPX-6FP (Set of 2)	580655



1. Limited Warranty.

King Kutter, Inc. ("King Kutter"), P.O. Box 1200, Winfield, Alabama 35594, warrants to the original retail purchaser ("Purchaser") that the product that is the subject of this sale is free from defects in material and workmanship at the time of sale.

Under this warranty, King Kutter will repair the defective product free of charge to the Purchaser, with either new or used and reconditioned replacement parts. All warranty service will be performed at service centers designated by King Kutter. If King Kutter is unable to repair the product to conform to the warranty after a reasonable number of attempts, King Kutter will provide, at its option, one of the following: (a) a replacement for the product or, (b) a full refund of the purchase price. Repair, replacement, or refunds are the Purchaser's EXCLUSIVE remedies against King Kutter under this limited warranty. King Kutter will not be liable for any special, incidental or consequential damages based upon breach or warranty, breach of contract, negligence, strict tort liability, or any other legal theory. Such damages include, but are not limited to, loss of profits, loss of savings or revenue, loss of use of the product or any associated equipment, cost of capital, cost of any substitute equipment, facilities or services, down time, the claims of third parties including customers, and injury to property. These limitations also apply, to the extent allowed by law, to personal injury.

The purchaser must notify the Seller in writing of any defect in material or workmanship within one (1) year following the date of purchase. If the equipment is used for commercial purposes, the Purchaser must notify the Seller in writing of any defect in material or workmanship within ninety (90) days following the date of purchase. In no event will King Kutter be liable under this warranty unless written notice is received by the Seller within one (1) year from the date of original retail sale.

2. Warranty of Title.

King Kutter warrants that it transfers a good title to the product free of any encumbrances, and free of the rightful claim of any third party for infringement of patent or copyright.

3. What is Not Covered by This Limited Warranty.

King Kutter will not be responsible for damage to or failure in the product which results from accident, misuse, abuse, neglect, installation of attachments not provided by King Kutter, modifications to the product, or damage caused by use of the product for purposes other than those for which it was designed.

4. No Other Warranties.

Unless modified in writing and signed by both parties, this agreement is understood to be the complete and exclusive agreement and warranty between King Kutter and Purchaser, superseding all prior agreements, oral and written, and all other communication between King Kutter and Purchaser related to the subject matter of this agreement.

THIS LIMITED WARRANTY IS IN LIEU OF ALL OTHER WARRANTIES, EXPRESS OR IMPLIED, INCLUDING, BUT NOT LIMITED TO, THE IMPLIED WARRANTY OF MERCHANTABILITY AND THE IMPLIED WARRANTY OF FITNESS FOR A PARTICULAR PURPOSE. No employee of King Kutter nor anyone else is authorized to make any warranty or representation in addition to or different from those made in this agreement.

5. Allocation of Risk.

This agreement allocates the risk of product failure between King Kutter and the Purchaser. This Allocation is recognized by both parties as reflected in the price of the goods. The Purchaser acknowledges that he or she has read this agreement, understands it, and is bound by its terms.